



Classic 100G
Freestanding Gas Range Cooker
For Natural Gas & LP Gas Models

User & Installation Instructions



Stoney Lane, Prescott, Merseyside L35 2XW

The Gas Consumer Council (GCC) is an independent organisation which protects the interests of gas users. If you need advice, you will find the telephone number in your local telephone directory under Gas.

NEW WORLD CUSTOMER CARE

In case of difficulty within the UK and Northern Ireland, please call
New World Customer Care Centre Helpline on

0151 432 7838

When you dial this number you will hear a recorded message and be given a number of options. This indicates that your call has been accepted and is being held in a queue. Calls are answered in strict rotation as our Customer Care Representatives become available.

Opening Hours for Customer Care Centre

Monday to Friday	8am - 8pm
Saturday	8.30am - 6pm
Sunday	10am - 4pm

Enter appliance numbers here for future reference:

Model No
<input type="text"/> <input type="text"/> <input type="text"/> <input type="text"/> <input type="text"/> <input type="text"/> <input type="text"/> <input type="text"/> <input type="text"/> <input type="text"/> <input type="text"/>
Serial No
<input type="text"/> <input type="text"/> <input type="text"/> <input type="text"/> <input type="text"/> <input type="text"/> <input type="text"/> <input type="text"/> <input type="text"/> <input type="text"/>

Please ensure you have the above details (Model No and Serial No) to hand when calling New World Customer Care. They are essential to booking your call.

Outside the UK and Northern Ireland, refer to your local supplier.

CONTENTS

User's Section	2 - 15
Introduction	2
Storage Compartment	4
Be Safe - Not Sorry.	5
Using the Hob	6
Using the Griddle (if supplied)	7
Using the Grill	8
Using the Ovens.	10
Using the Minute Minder / Clock (if fitted)	12
Cleaning.	13
Installation Instructions.	16 - 21
Technical Data	22
New World Customer Care	24

If you smell gas:
Do not try to light any appliance. Do not touch any electrical switch.
Call the Gas Emergency Helpline at TRANSCO on: **0800 111999**
In the Republic of Ireland, call the Bord Gáis emergency line on **1850 205050** or contact your local gas supplier.

Please keep this handbook for future reference, or for anyone else who may use the appliance.

INTRODUCTION

Thank you for choosing a British built appliance by New World

We hope that the following information will help you to familiarise yourself with the features of the appliance, and to use it successfully and safely.

Our policy is one of constant development and improvement. Strict accuracy of illustrations and specifications is not guaranteed. Modification to design and materials may be necessary subsequent to publication.

This appliance must be installed in accordance with the regulations in force, and only in a well ventilated space. Read the instructions before installing or using this appliance.

Your 1st Year Guarantee

To fulfil the conditions of your guarantee, this appliance must be correctly installed and operated, in accordance with these instructions, and only be used for normal domestic purposes. Please refer to your Guarantee Card for further details.

Please note that the guarantee, and Service availability, only apply to the UK and Republic of Ireland.

The *User's Section* in this handbook covers the operation of the ovens, grill, hotplate and griddle (if supplied), but to help you make the most of your cooker, we have produced the accompanying *Cooking Guide* which gives more details of its features and benefits.

Your new appliance is designed to be installed free-standing or flush to base units. Certain features, such as the griddle, are only available on some models.

Before using the appliance for the first time, remove any protective polythene film and wash the oven shelves and furniture in hot soapy water, to remove their protective coating of oil. Even so, when you first turn on the oven or grill you may notice a smell and some smoke.

Ventilation

The use of a gas cooking appliance results in the production of heat and moisture in the room in which it is installed. Ensure that the kitchen is well ventilated: keep natural ventilation holes open or install a mechanical ventilation device (mechanical extractor hood). Prolonged intensive use of the appliance may call for additional ventilation, for example, opening of a window, or more effective ventilation, for example increasing the level of mechanical ventilation where present.

Stability bracket

If the cooker is to be fitted with a flexible inlet connection, a stability bracket should also be fitted to engage in the back of the cooker. Make sure this is re-engaged whenever you move the cooker for cleaning.

TECHNICAL DATA

Data badge

Lower part of front frame.

Type of gas

This cooker must only be used with either Natural Gas only, or LP Gas only, as specified on the appliance data badge.

Gas category

Natural Gas - I2H, LP Gas - I3+

Pressure setting

G20 Natural Gas @ 20 mbar

G30 Butane @ 28-30 mbar

G31 Propane @ 37 mbar

Pressure test point

Use the oven injector.

Aeration Fixed.

Appliance class

Class 1, Freestanding appliance

Electrical supply

230 - 240V ~ 50Hz

Warning: This cooker must be earthed.

Spark generators

Two mains powered 6 outlet, one terminal earthed out to chassis on one generator.

Grill - Grill burner is surface combustion type. Spark gaps 3 - 4mm.

Hob - Burners have burner heads and caps which are removable for cleaning. Concealed electrodes to each burner.

Ovens - Oven burners are sheet steel, with pierced ports in stainless steel flame strip. Spark gaps 3 - 4mm. Flame supervision - expansion type with fixed low rate bypass drilling in valve (RHS oven); thermoelectric type (LHS oven). Thermostat phial; front centre of oven roof.

Countries of destination

GB - Great Britain, IE - Ireland

Burner	Nominal Rate Qn	Grammes per hour		Injector size
		Butane	Propane	
Natural Gas				
Grill	2.4kW	-	-	1.15mm
Hob small x 2	1.0kW	-	-	77
medium x 4	2.0kW	-	-	104
large x 2	3.0kW	-	-	129
Ovens x 2	2.5kW	-	-	180 amal
Total heat input	ΣQ_n 23.4kW	-	-	-
LP Gas				
Grill	2.4kW	175g/h	172g/h	0.76mm
Hob small x 2	1.0kW	73g/h	72g/h	50
medium x 4	2.0kW	145g/h	143g/h	70
large x 2	3.0kW	218g/h	215g/h	87
Ovens x 2	2.4kW	175g/h	172g/h	70 amal
Total heat input	ΣQ_n 23.2kW	1687g/h	1659g/h	-

INTRODUCTION

Moving the cooker

Do not attempt to move the cooker by pulling on the doors or handles. Open the door and grasp the frame of the cooker, taking care that the door does not shut on your fingers.

Take care to avoid damage to soft or uneven floor coverings when moving the appliance. Some cushioned vinyl floor coverings may not be designed to withstand sliding appliances without marking or damage.

Gas & Electrical connection

Please refer to installation instructions for the Gas & Electrical Safety Regulations and the Ventilation Requirements.

In your own interest, and that of safety, it is the law that all gas appliances be installed by competent persons. Corgi registered installers undertake to work to satisfactory standards.

Disconnection of gas and electric appliances should always be carried out by competent persons.

Warning: This appliance must be earthed.

If the ignition fails:

- Check there is a spark when the ignition button is depressed.
- If there is no spark, check that the electricity supply is switched on at the socket.
- Check that the gas supply is switched on.

The cooling fan

When the appliance is switched on, you may hear the cooling fan come on. This keeps the fascia and control knobs cool during grilling / cooking and will continue to operate for up to 15 minutes after the appliance has been switched off.

During oven use the fan may cycle on and off. Should any fault occur with the cooling fan, the appliance will require servicing. Contact Customer Support.

Environmental Protection

We are committed to protecting the environment and operate an Environmental Management System which complies with BS EN ISO 14001:1996.

Disposal of packaging

- All our packaging materials are recyclable and environmentally friendly.
- Please help us to protect our environment by disposing of all packaging in an environmentally friendly manner.
- Please contact your local authority for the nearest recycling centre.

Caution: Packaging materials can pose a risk of suffocation - keep away from children.

STORAGE COMPARTMENT

Storage compartment

Your appliance has a generous storage compartment, located beneath the right-hand side oven.

The storage compartments should only be used to store oven furniture.

Baking trays and roasting tins may be stored in the compartment.

Do not store items with plastic or wooden handles in the compartments, as they may be damaged by heat from the oven.

Do not store flammable liquids, even when cold, in the storage compartments, as they may catch fire. Do not store flammable items - ie; chip pans.

Do not store food / canned items in the storage compartments. **Do not use the compartments as a food warming facility.**

INSTALLATION INSTRUCTIONS

Commissioning

Burner aeration

All burners have fixed aeration and no adjustment is possible.

Pressure setting

G20 Natural Gas @ 20 mbar

G30 Butane @ 28-30 mbar

G31 Propane @ 37 mbar

Pressure test point

Use the oven injector

Ignition

All burners are ignited by pressing the ignition switch on the fascia. When the burner has lit release the ignition switch.

Hob - Turn the tap to the 'full on' position, wait a second before pressing the ignition switch.

Grill - Open the grill door. Push in and turn the tap to the 'full on' position. Hold the control knob in and operate the ignition button. A few seconds after the flame has been established release the control knob.

RHS Oven - Open the oven door. Turn the tap to the 'full on' position and press the ignition switch. The burner operates at a low rate for up to 60 seconds until the flame supervision device opens and full gas rate is obtained.

LHS Oven - Open the oven door. Push in and turn the control knob to the full on position. Hold the control knob in and operate the ignition button. A few seconds after the flame has established, the control knob can be released.

Before leaving the installation

1. Place all the loose parts of the cooker into position.
2. Show the customer how to operate the cooker and give them this handbook.

Thank you.

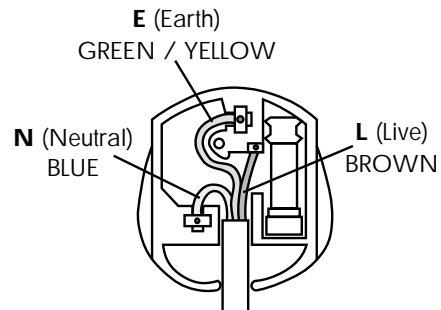
INSTALLATION INSTRUCTIONS

Connect to the electricity supply

Warning: This appliance must be earthed.

The flexible mains lead is supplied connected to a BS 1363 fused plug, having a fuse of **3 amp** capacity.

If this plug does not fit the socket in your home, it should be replaced with a suitable plug as outlined below.



Use a **3 amp** fuse in a 13 amp plug.

The wires in the mains lead are coloured in accordance with the following code:

Green and yellow = Earth,

Blue = Neutral,

Brown = Live.

As the colours of the wires in the mains lead for the appliance may not correspond with the coloured markings identifying the terminals in your plug, proceed as follows:

1. The wire which is coloured green and yellow must be connected to the terminal marked **E** (Earth) or coloured Green.
2. The wire which is coloured blue must be connected to the terminal marked **N** (Neutral), or coloured Black.
3. The wire which is coloured brown must be connected to the terminal marked **L** (Live), or coloured Red.

The plug and socket must be accessible after installation.

Should the appliance mains lead ever require replacing, we recommend that this is carried out by a qualified electrician who will replace it with a lead of the same size and temperature rating.

BE SAFE - NOT SORRY

When you are cooking, keep children away from the vicinity of the appliance.

This product is designed as a domestic cooking appliance for the preparation and cooking of domestic food products, and should not be used for any other purpose.

- Remove all packaging from the appliance before using for the first time.
- Make sure you read and understand the instructions before using the appliance.
- Keep electrical leads short so they do not drape over the appliance or the edge of the worktop.
- Keep all flammable materials (such as curtains and furnishings) away from the appliance.
- Parts of the appliance may be hot during or immediately after use. Allow sufficient time for the appliance to cool after switching off.
- Switch off the electricity supply before cleaning the appliance, to avoid the risk of electric shock.
- Do not drape tea towels over the flue vents or door handles, as this creates a fire hazard.
- When opening the appliance door, take care to avoid skin contact with any steam which may escape from the cooking.

- Do not use aluminium foil to cover the grill pan, or put items wrapped in foil under the grill, as this creates a fire hazard.
- Use oven gloves when removing hot food / dishes from the oven or grill. The oven / grill and utensils will be very hot when in use.
- Do not use foil on oven shelves or allow it to block the oven flue, as this creates a fire hazard, and prevents heat circulation.
- When cooking heavy items - eg; turkeys - do not pull the oven shelf out with the item still on the shelf.
- *Drop-down doors (where fitted):* Do not place items on the door when open.
- Never use the appliance for heating a room.
- As with all gas appliances, it is recommended that your appliance is serviced regularly.
- **Warning:** This appliance must be earthed.
- **All installation, servicing and maintenance** work should be carried out by a competent person who will comply with current Regulations, Standards and Requirements.

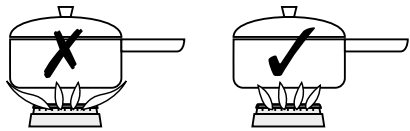
When you have finished cooking check that all controls are in the off position.

When you are cooking, keep children away from the vicinity of the appliance.

Ignition

Push in and turn the selected control knob anticlockwise to the large flame symbol and press the IGNITION SWITCH until the burner lights. Turn the control knob to the required setting.

Adjust the burner flame so that it does not extend over the pan base.



To turn off, push in the control knob and turn clockwise until the dot on the control knob is below the line on the fascia panel.

To simmer

The simmer position is marked by the SMALL FLAME symbol.

Once lit turn the selected control knob anticlockwise past the LARGE FLAME symbol (FULL ON) to the SMALL FLAME symbol.

You may hear a slight popping noise when the hob burners are operating and this is quite normal, but if anything about the cooker appears unusual, such as change in flame appearance, or the operation of controls - seek expert advice.

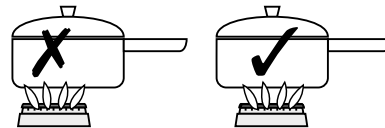
Pans

For optimum safety and performance, we recommend the use of flat bottomed pans with a base diameter of minimum 100mm (4") and maximum 250mm (10").

Do not use double pans, rim based pans, old misshapen pans or any pan which is unstable when placed on a flat surface.

Turn pan handles to a safe position so they are out of reach of children, not overhanging the appliance and cannot be caught accidentally.

Position pans over the centre of the burners, resting on the pan supports. If positioned off centre, smaller pans may be unstable.



When cooking with fat or oil, never leave unattended.

Commercial simmering aids should not be used as they create excessive temperatures that can damage the surface and may cause a hazard.

When you have finished cooking check that all controls are in the off position.

Pan supports

Always make sure the pan supports are replaced correctly, and located in the hob spillage well.

Connect to the gas supply

The inlet to the cooker is ½" BSP internal, situated at the rear centre of the appliance.

Use a 900mm - 1125mm length of flexible connector.

Ensure that all pipe work is of the correct rating for both size and temperature.

Natural Gas - Flexible connections should comply with BS 669. Parts of the appliance likely to come into contact with a flexible connector have a temperature rise of less than 70°C.

LP Gas - For flexible connections, use a bayonet type hose, suitable for use on LP Gas up to 50 mbar pressure rise and 70°C temperature rise. The flexible hose should be coloured black with a red stripe, band or label. If in doubt, contact your supplier.

After installation, make sure all connections are gas sound.

Important: - ensure that you route all mains and electrical cables and flexible tubing well clear of any adjacent heat source.

INSTALLATION INSTRUCTIONS

Stability bracket

If the cooker is fitted with a flexible connection, a stability bracket should be fitted to engage in the back of the cooker. A stability bracket can be bought from your local supplier.

A stability bracket can be fitted as follows:

1. Place the cooker in position and draw a pencil line level with the front edge.
2. Mark the centre of the cooker to give the centre line for the bracket.
3. Remove the cooker and mark off 450mm from the pencil line to locate the front edge of the lower bracket.

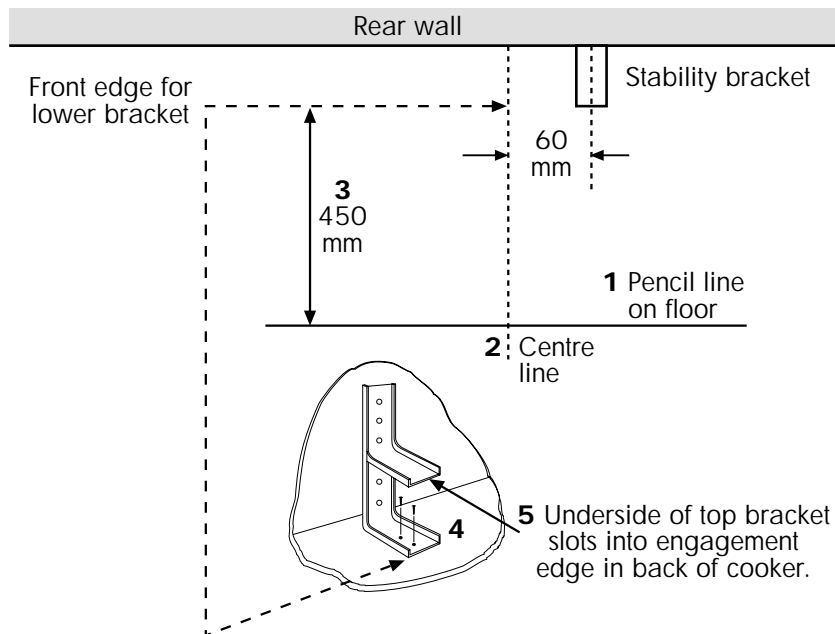
4. Fix the bracket to the floor.
Measure from floor level to engagement edge in the back of the cooker and add 3mm.
5. Assemble the underside of the top part of the bracket to this height.

Levelling

Place a spirit level on a baking sheet onto an oven shelf.

The cooker is fitted with levelling feet and locknuts at the front, and wheels at the rear.

Adjustment of wheel height can be made with a screwdriver through the hexagonal hole in the front plinth.



USING THE GRIDDLE (if fitted)

Caution: Accessible parts may be hot when the griddle is used. Young children should be kept away.

The appliance may be supplied with a griddle.



Griddle symbol

Only use the griddle which has been approved for use on this appliance. Do not use any other griddle, as this may be hazardous.

Please read these instructions thoroughly before using the griddle for the first time. Refer to the cleaning section for griddle care and cleaning instructions. For instructions on griddle cooking, please refer to the accompanying cooking guide.

Before using the griddle for the first time

Wash the griddle thoroughly in hot soapy water (see "Cleaning" section). Season sparingly with a minimum amount of cooking oil (see below). Heat the griddle on full rate for 3 minutes. The griddle plate is now ready for use.

Seasoning the griddle

The griddle is made of quality cast iron, and has a non-stick cooking surface. Regular seasoning will prolong the life of the griddle and prevent rusting. If the griddle shows signs of rust, wash and re-season.

To season;

- After cleaning, dry the griddle thoroughly.
- Rub the cooking side of the griddle sparingly with a minimum amount of unsalted vegetable oil. Note that olive oil is unsuitable for seasoning.

Using the griddle

The griddle should only be positioned **front-to-back** over the burners indicated by the griddle symbol on the fascia panel.

Do not use the griddle over the large burners.

Place the griddle carefully on the pan support over the burners, using the locating feet on the underside of the griddle. Take care to avoid damage to the vitreous enamel surface of the pan supports.

Before cooking, preheat the griddle for 3 minutes on full rate, which is indicated on the control knobs by a large flame symbol.

After preheating, turn the control knobs to the small flame symbol.

The griddle is now ready for cooking.

Do not use metal implements, as they may damage the non-stick surface.

After cooking, allow the griddle to cool before moving or cleaning it.

USING THE GRILL

Caution: Accessible parts may be hot when the grill is used. Young children should be kept away.

Ignition

Open the grill door. Push in and turn the grill control knob anticlockwise to the 'full on' position. Hold the control knob in and operate the ignition button or hold a lighted match or taper to the burner.

Do not hold the control knob in for more than 15 seconds. If after 15 seconds the burner has not lit, release the control knob and wait at least one minute before attempting a further ignition of the burner.

Note that on some models it is not necessary to hold the control in after turning clockwise to the "full on" position.

In the event of the burner flames being accidentally extinguished, turn off the burner control and do not attempt to reignite the burner for at least one minute.

A few seconds after the flame has established, the safety valve will open and the control knob can be released.

Turn the control knob to the required setting.

Important: Keep the grill door open when the grill is on.

When slower cooking is required the grill can be turned down anti-clockwise to a slightly reduced setting, past the large flame symbol (full on), to the small flame symbol. This can be used in conjunction with use of the different grilling positions (see below).

Only use the grill burner between the large and small flame symbol.

To turn off, push in the control knob and turn it clockwise to the "off" position.

Preheating

For best cooked results, always preheat the grill for about 3 minutes.

Aluminium foil

Note that using aluminium foil to cover the grill pan - or putting items wrapped in foil under the grill - can create a fire hazard.

INSTALLATION INSTRUCTIONS

Whilst every care is taken to eliminate burrs and raw edges from this product, please take care when handling - we recommend the use of protective gloves during installation.

Moving the cooker

Please note that the weight of this appliance is approximately **76kg** (unpacked).

Take care if the appliance needs to be lifted during installation - always use an appropriate method of lifting.

Do not attempt to move the cooker by pulling on the doors or handles. Open the door and grasp the frame of the cooker, taking care that the door does not shut on your fingers.

Take care to avoid damage to soft or uneven floor coverings when moving the appliance. Some cushioned vinyl floor coverings may not be designed to withstand sliding appliances without marking or damage.

Clearances & Dimensions

Appliance dimensions

All sizes are nominal, and some variation is to be expected. The 'depth' of the cooker, as given below, is to the front of the door and excluding knobs and handles.

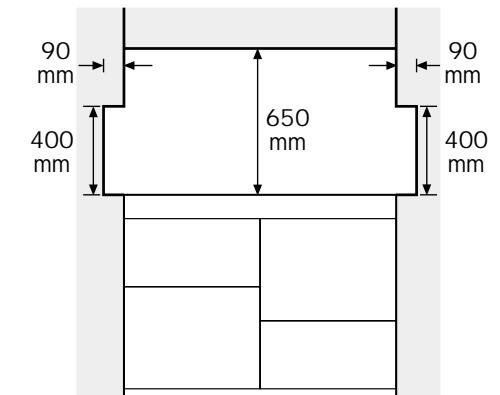
Width	1000mm
Depth	600mm
Height (adjustable)	900 - 915mm

Clearances

This cooker may be fitted flush to base units. However, for models with side opening doors, we recommend a side clearance of 60mm between the cooker and any side wall or protruding cabinet, to allow the door to open fully.

No shelf or overhang or cooker hood shall be closer than a minimum of 650mm, but check with cooker hood manufacturer's recommendations.

The cooker must have a side clearance above hob level of 90mm up to a height of 400mm.



INSTALLATION INSTRUCTIONS

Before you start: Please read the instructions. Planning your installation will save you time and effort.

Prior to installation, ensure that the local distribution conditions (nature of the gas and gas pressure) and the adjustment of the appliance are compatible. The adjustment conditions are stated on the data badge.

This appliance is not connected to a combustion evacuation device. It shall be installed and connected in accordance with current installation regulation. Particular attention shall be given to the relevant requirements regarding ventilation.

In your own interest and that of safety, it is the law that all gas appliances be installed and serviced by competent persons. CORGI registered installers undertake to work to satisfactory standards.

Where regulations or standards have been revised since this handbook was printed, always use the latest edition.

In the UK the regulations and standards are as follows:

1. Gas Safety Regulations 1996 (Installation and Use).
2. Building Regulations - Issued by the Department of the Environment.
3. Building Standards (Scotland) (Consolidated) - Issued by the Scottish Development Department.
4. The current I.E.E. Wiring Regulations.
5. Electricity at Work Regulations 1989.
6. BS 6172 Installation of Domestic Gas cooking Appliances

Also, for **LP Gas**, refer to BS 5482 Part 1, Part 2 or part 3 as relevant.

7. Installation & Servicing Instructions for this appliance.

For installation in countries other than the UK, the appliance must be connected in accordance with all local gas and electrical regulations. In the Republic of Ireland, Installers should refer to IS813 Domestic Gas Appliances.

Ventilation Requirements

The room containing the appliance should have an air supply in accordance with BS 5440: Part 2: 1989:

- All rooms require an openable window, or equivalent, and some rooms will require a permanent vent as well.
- For room volumes up to 5m³ an air vent of 100cm² is required.
- If the room has a door that opens directly to the outside, or the room exceeds 10m³, NO AIR VENT is required.
- For room volumes between 5m³ and 10m³ an air vent of 50cm² is required.
- If there are other fuel burning appliances in the same room, BS 5440: Part 2: 1989 should be consulted to determine the air vent requirements.
- This appliance must not be installed in a bed sitting room of less than 20m³ or in a bathroom or shower room.

Windows and permanent vents should therefore not be blocked or removed without first consulting a CORGI gas installer.

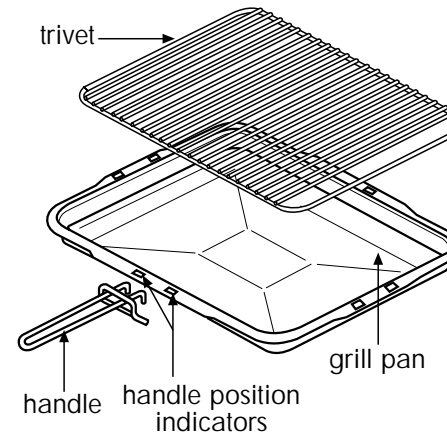
LP Gas only - Do not install this appliance in a room below ground level. This does not preclude installation into rooms which are basements with respect to one side of the building, but open to ground level on the opposite side.

In the Republic of Ireland, refer to relevant Irish Standards for correct ventilation requirements.

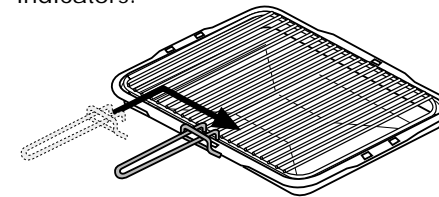
Failure to install appliances correctly is dangerous and could lead to prosecution.

USING THE GRILL

Detachable grill pan handle



Place the handle over the edge of the grill pan, at the narrow side edges. Slide the handle to the centre, and locate between the handle position indicators.



The handle should be removed from the pan during grilling, to prevent overheating.

The handle is designed for removing / inserting the grill pan under the grill when grilling.

If cleaning the grill pan when it is hot, use oven gloves to move it. **Do not** use the handle to pour hot fats from the grill pan.

Food for grilling should be positioned centrally on the trivet.

Grilling

Important: Keep the grill door open when the grill is on.

The grill is variable. The speed of grilling can also be adjusted by selecting a higher or lower shelf position.

We recommend using a higher shelf position for toasting, and for cooking foods such as bacon, sausages or steaks.

For thicker foods such as chops or chicken joint pieces, use a middle to low shelf position.

The grill trivet, which is in the grill pan, may be inverted to give a high or low position or the trivet may be removed.

1. The HIGH trivet position is suitable for toasting bread.
2. The LOW trivet position is suitable for grilling all types of meat and fish.
3. With the grill trivet removed the food is placed directly on the base of the grill pan - eg; when cooking whole fish or browning dishes such as cauliflower cheese.

USING THE OVENS

Caution: Accessible parts may be hot when the ovens are used. Young children should be kept away.

The cooker has two conventional gas ovens. Please refer to the accompanying cooking guide for instructions on using the ovens.

Ignition

Open the oven door. Push in and turn the control knob to the full on position (gas mark 9). Hold the control knob in and operate the ignition button (if fitted) or hold a lighted match or taper to the burner.

A few seconds after the flame has established, the control knob can be released.

Turn the control knob to the required gas mark setting.

In the event of the burner flames being accidentally extinguished, turn off the burner control and do not attempt to re-ignite the burner for at least one minute.

To turn off, push in the control knob and turn clockwise until the dot on the control knob is below the line on the fascia panel.

Preheating

The oven must be preheated for 15 minutes when cooking frozen or chilled foods, and we recommend preheating for yeast mixtures, batters, soufflés, and whisked sponges.

Notes:

As part of the cooking process, hot air is expelled through a vent at the top of the oven(s). When opening the oven door, care should be taken to avoid any possible contact with potentially hot air, since this may cause discomfort to people with sensitive skin. We recommend that you hold the underneath of the oven door handle.

If you find that over a period of time, the oven becomes hotter when used at a particular gas mark, the thermostat may need to be replaced.

CLEANING

Glass parts (if fitted)

GLASS DOOR PANELS

Do not use abrasives or polishes as they will scratch and damage the glass.

Use a mild cream cleaner - eg; "Cif". Rinse away excess cleaner and dry with a soft cloth.

Warning: Do not operate the appliance without the glass panel correctly fitted.

Important: the inner door glass panel can be removed for cleaning but it must be replaced the right way up (so the reflective side - if fitted - faces inwards), and pushed fully in to the **stop** position. To remove the glass panel, open the door wide, hold the top and bottom edges and slide out.

Griddle care and cleaning

Do not use metal implements as they may damage the non stick surface.

After cooking allow the griddle to cool completely before attempting to remove or clean.

Once the griddle has cooled, remove any excess fat with kitchen paper before moving.

The griddle can be cleaned with hot soapy water and a nylon brush. If any food residue is left on the griddle, leave it to soak for a few minutes in hot soapy water before attempting to clean it. **Do not** use caustic pastes, abrasive cleaning powders, coarse wire wool or any hard implements, as they will damage the surface.

Do not clean in a dishwasher.

After cleaning, dry thoroughly then re-season the cooking surface by wiping sparingly with a minimum amount of oil, and store in a dry place.

CLEANING

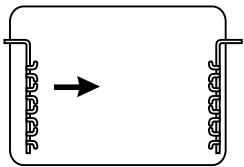
Chrome plated parts

OVEN SHELF & SHELF RUNNERS, GRILL PAN RUNNERS, GRILL PAN TRIVET

Use a moist soap pad, eg; "Brillo".

Note: Oven shelf runners (if fitted) can be removed for cleaning. Grasp the runners and slide out of the hanging holes as shown.

Note: These items may also be cleaned in a dishwasher.



Painted, plastic & metal finish parts (where fitted)

PAINTED FACIA & METAL DOOR PANELS (if fitted), SIDE PANELS, HANDLES & CONTROL KNOBS

Only use a clean cloth wrung out in hot soapy water.

Ticene® oven interior (if fitted)

OVEN SIDES AND BACK

We recommend that the appliance is cleaned after open roasting, and also after roasting at temperatures higher than gas mark 5, to help prevent a build up of fats. Use of a trivet in a roasting tin when roasting will help reduce fat splashing.

Caution: Most types of cleaning agent will damage these surfaces.

Only use a few drops of washing up liquid in hot water. Wipe the surfaces with a clean cloth wrung out in hot soapy water - if larger splashes of fat do not readily disappear scrub the area with a nylon brush or nylon pan scourer and hot soapy water. Rinse well and heat the oven to dry the surfaces.

USING THE OVENS

Oven furniture

Shelf positions

The oven shelf must be positioned with the upstand at the rear of the oven and facing upwards.

Position baking trays and roasting tins on the middle of the shelves, and leave 1 clear shelf position between shelves, to allow for circulation of heat.

Baking tray and roasting tins

For best cooked results and even browning, the maximum size baking trays and roasting tins that should be used are as follows;

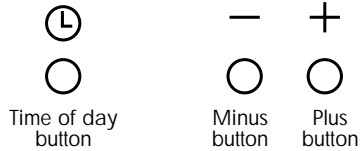
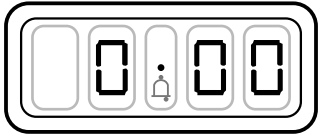
Baking tray 290mm x 270mm

This size of baking tray will hold up to 16 small cakes.

Roasting tin 320mm x 270mm

We recommend that you use good quality cookware. Poor quality trays and tins may warp when heated, leading to uneven baking results.

Initial display



The digital timer enables you to set the time of day (24 hour clock) and the minute minder alarm.

Setting the "Time of Day"

1. Switch on the electricity supply to the appliance.
The display will flash.
2. Press and release the *time of day* button.
3. Set the time of day with the *plus* and *minus* buttons.
4. The time will be set 7 seconds after the last plus or minus operation.

Alarm tones

After setting the time of day, you can select one of three alarm tones. Press the *minus* button to listen to the first tone, then release the *minus* button and press it again to listen to the second tone, etc. Releasing the *minus* button after a tone has sounded will automatically select that tone.

Setting the minute minder

1. Press and release the *plus* button to change the display from clock to minute minder - the bell symbol will light.
2. Use the *plus* and *minus* buttons to set the length of time before the alarm tone will sound. The display will increase in units of 10 seconds, and decrease in units of 1 second. The maximum period which may be set is 99 minutes.

During countdown, the minute minder has priority on the display, which will show (in minutes : seconds) the time remaining.

When countdown is complete, the tone will sound for 7 minutes, or it can be reset with one touch of the *plus* button.

To cancel the minute minder at any other time, either;

- i. Run down the set time with the *minus* button, then press and release the *plus* button when the alarm sounds, or,
- ii. Simultaneously press the *plus* and *minus* buttons, releasing the *plus* button first.

The display will revert to show the time of day.

Caution: Any cleaning agent used incorrectly may damage the appliance.

Always let the cooker cool before cleaning.

Some cooking operations generate considerable amount of grease, this combined with spillage can become a hazard if allowed to accumulate on the appliance through lack of cleaning. In extreme cases this may amount to misuse of the appliance and could invalidate your guarantee.

It is recommended that the appliance is cleaned after open roasting.

Do not use caustic, corrosive or abrasive cleaning products, products containing bleach, coarse wire wool or any hard implements, as they will damage the surfaces.

All parts of the cooker can be safely cleaned with a cloth wrung out in hot soapy water.

Vitreous Enamel Parts

GRILL PAN & GRILL COMPARTMENT, HOB TOP & PAN SUPPORTS, OVEN COMPARTMENT FLOOR

Use a mild cream cleaner - eg; "Cif".

Stubborn marks may be removed using a moistened "Brillo" pad.

The pan supports and grill pan may be cleaned in a dishwasher, or with a nylon brush in hot soapy water.

Burner caps and heads

Important: Allow burners to cool before cleaning.

Caution: Hotplate burners can be damaged by soaking, automatic dishwashers (or dishwasher powders / liquids), caustic pastes, hard implements, coarse wire wool, and abrasive cleaning pastes.

For the burners to work safely, the slots in the burner head where the flames burn need to be kept clear of deposit. Clean with a nylon brush, rinse, and dry thoroughly.

Hotplate burners may be cleaned with a moist soapy pad - eg; "Brillo".

Important: The burner caps and heads must be repositioned correctly so that they sit squarely onto the hob as shown below.

