



**CHEST FREEZER
USER GUIDE
NWCF295L Wht**

Thank you for buying this high quality appliance

This handbook is designed to help you through each step of owning your new appliance, from installation to use.

Please read through this handbook carefully before you start using your appliance, as we have endeavoured to answer as many questions as possible, and provide you with as much support as possible.

If, however, you find something missing or not covered, please contact our Customer Care Centre, using the number at the back of this handbook, who will be only too happy to help you.

Our policy is one of constant development and improvement, therefore we cannot guarantee the strict accuracy of all our illustrations and specifications, changes may have been made subsequent to publishing.

Index

BEFORE USING YOUR APPLIANCE.....	2
Safety Instructions.....	2
Warnings.....	2
Installation.....	3
OPERATING YOUR APPLIANCE	4
Parts of the Appliance	4
Temperature Adjustment/Operation.....	5
Food Storage in the Appliance	5
DEFROSTING AND CLEANING.....	6
Defrosting and Cleaning.....	6
TROUBLE SHOOTING AND TECHNICAL DATA.....	6
Trouble Shooting.....	6
Trouble Shooting guide	7
Technical Data	8
Wiring Diagram.....	8
CUSTOMER CARE	9

- After installation make sure that the power cable is not trapped underneath appliance. **Please read this booklet thoroughly before installing and switching on the appliance. The manufacturer accepts no responsibility for incorrect installation and use.**
- If this appliance is to replace an old one equipped with a lock, break or remove the lock as a safety measure to avoid children becoming trapped inside.
- This model contains refrigerant isobutene (R600a). Caution is required since isobutene is flammable. It is essential to ensure that refrigerant pipelines are not damaged during transportation and installation of the appliance. Should the pipes become damaged – do not use the appliance until you have been advised to do so by a service engineer.
- Do not damage the refrigerant circuit. In the event that the refrigerant circuit is damaged, avoid open flames or ignition sources and ventilate the room in which the unit is placed – do not use the appliance until you have been advised to do so by a service engineer.
- Do not allow children to play with the appliance. Children must never sit in the drawers or hang from the door.
- Do not plug this appliance into an extension lead.
- Do not use old or damaged power supply cables.
- Do not twist, bend or trap the cable. Cables should also be kept clear of heat sources.
- When plugging in the appliance, always make sure that your hands are dry.
- Your old appliances contain insulation gases and refrigerant that must be disposed of properly. Please contact your local authority for information about recycling centre's Do not dispose of this appliance with household waste.

Warnings

- **WARNING:** This appliance is not intended for use by persons (including children) with reduced physical, sensory or mental capabilities, or lack of experience and knowledge, unless they have been given supervision or instruction concerning use of the appliance by a person responsible for their safety. Children should be supervised to ensure that they do not play with the appliance.
- Do not defrost the appliance with other electrical devices (i.e. hair dryer) or any artificial means and do not use sharp metal objects to remove the ice on the freezer, as this could cause damage to the refrigerant system.
- Do not operate any electrical appliances inside the refrigerator or freezer.
- **WARNING:** Do not place bottles (glass or plastic) containing liquids (especially effervescent liquids) into the freezer as they could cause the bottle to burst during freezing.
- **WARNING:** Do not store explosive substances such as aerosol cans with a flammable propellant in this appliance.
- **WARNING:** Do not damage the refrigerant circuit.
- **WARNING:** Keep ventilation openings, in the appliance enclosure or in the built-in structure, clear of obstruction.
- Do not touch the cooling surfaces while the appliance operates, especially with wet hands, because the skin may stick to cold surfaces.
- Do not eat ice which has just been removed from the freezer as this can cause freezer burns to the hands and tongue.

Installation

- Install and level the appliance on a floor able to take its weight and in a place suitable for its

size and use.

- Insert the plug into a socket which is appropriate. This appliance has a plug already fitted – if the plug is not suitable for your socket we suggest that you call an authorized electrician for assistance. If the plug is damaged in any way – do not attempt to use it. It must be replaced with a new plug.
- Do not install the appliance in direct sunlight and close to heat sources. Do not allow the appliance to be exposed to rain.
- Choose a well ventilated area. There should be at least 10 cm of open space along the sides, top, and back of the freezer.
- Before switching on place the appliance in an upright position and wait at least three hours without moving the appliance. This will give the refrigerant circuit time to settle and operate efficiently.
- Install the appliance in a dry and well-ventilated place. The appliance is for use in places within the temperature ranges defined according to the climatic class given on the Data Label located on the back of the product. The appliance may not operate consistently if it is sited for extended periods of time below the cold end of the climate class temperature range for which the appliance is designed.
- If the appliance is installed next to another refrigerator or freezer, observe the minimum distance of 10cm to avoid condensation.
- **The manufacturer is not responsible for failure to complete installation as described in this guide.**

This appliance is intended for use in households but is not intended to be used in applications such as;

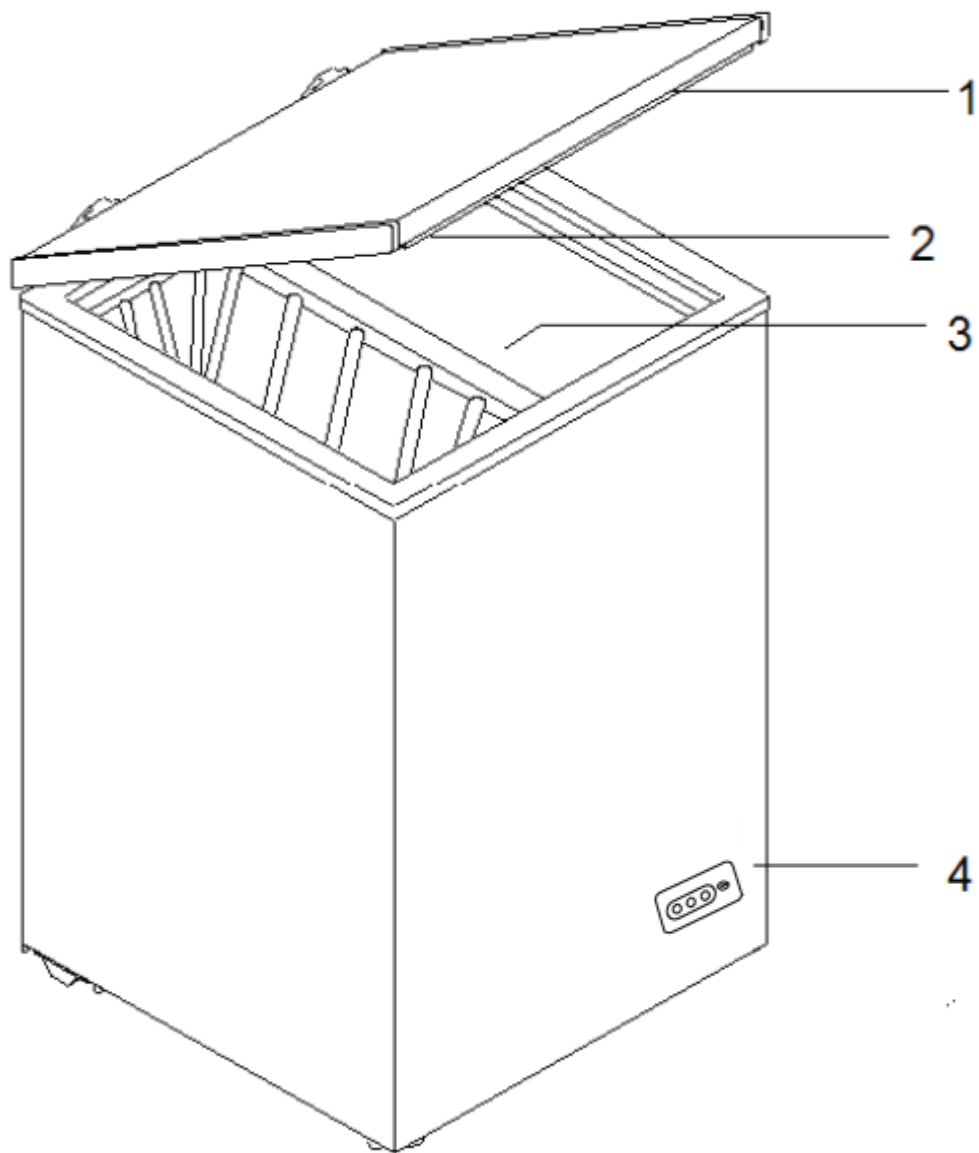
- Staff kitchen areas in shops, offices and other working environments;
- Farm houses and by clients in hotels, motels and other residential type environments;
- Bed and breakfast type environments;
- Catering and similar non-retail applications;

Operating voltage for your fridge is 220-240 V at 50Hz

Conformity Information

- The appliance is designed in compliance with the Directive 2006/95/EC, IEC60335-2-24, IEC60335-1. Directive 2004/108/EC, EN55014-1:2006/+A1:2009, EN55014-2:1997/+A1:2001/+A2:2008, EN61000-3-2:2006/+A1:2009/+A2:2009 and EN61000-3-3:2008.


Operating Your Appliance Parts of the Appliance



1. Lid
2. Seal
3. Basket (If Supplied)
4. Control Panel

- The appliance temperature can be adjusted by turning the thermostat on the Control Panel.
- The thermostat should be adjusted according to different environment temperature and the quantity of food being stored by adjusting the knob of the thermostat. The knob rotates clockwise from "1" to "6". The setting should be reduced down in summer (anti-clockwise rotation) and up in winter (clockwise rotation). The thermostat is set to a certain point before leaving the factory, this is the optimum setting for the product.
- If a large amount of fresh food is placed in the appliance for freezing the thermostat should be turned up for a period of 4-6 hours, after this period it should be returned to its initial setting.
- The green lamp is a power indicating lamp. When the power is on, the lamp will be on.
- Once power is cut off, wait for at least 5 minutes before plugging in again to avoid damaging the compressor or the system.

Food Storage in the Appliance

This freezer is a 4 star rated () appliance.

- The use of a freezer is for freezing fresh food and storing frozen food for long periods of time and making ice cubes.
- Do not put fresh or warm food with frozen food side by side as it can thaw the frozen food.
- While freezing fresh food (i.e. meat, fish etc) divide them into smaller portions, this will allow you to defrost only the food you need.
- **For storing frozen food;** the instructions shown on frozen food packages should always be followed carefully, if no information is provided food should not be stored for more than 3 months from the purchased date.
- **When buying frozen food;** ensure that these have been frozen at suitable temperatures and that the packing is intact.
- Frozen food should be transported in appropriate containers to maintain the quality of the food and should be placed into the freezer as soon as possible.
- If a package of frozen food shows signs of humidity and abnormal swelling it is probable that it has been previously stored at an unsuitable temperature and that the contents have deteriorated. Do not use this food, dispose of it as soon as possible.
- The storage life of frozen food depends on the room temperature, thermostat setting, how often the door is opened, the type of food and the length of time required to transport the product from the shop to your home. Always follow the instructions printed on the package and never exceed the maximum storage life indicated.

Defrosting and Cleaning

- Defrost twice a year or when a frost layer of around 7 mm (1/4") has formed. To start defrosting procedure switch off the freezer at the socket outlet and pull out the mains plug.
- All food should be wrapped in several layers of newspaper and stored in a cool place (e.g. fridge or larder).
- Containers full of warm water may be placed carefully in the freezer to speed up the defrosting.
- Do not use pointed or sharp edged objects such as knives, forks to remove the frost.
- Never use hairdryers, electrical heaters and other similar electrical appliances for defrosting.
- When defrosting has finished, sponge out any defrost water which collects at the bottom of the freezer and dry the interior thoroughly.
- You can wipe the inner and outer sides with a soft cloth or a sponge using warm and soapy water.
- Do not wash your freezer by pouring water into it.
- Never use flammable, explosive or corrosive material like thinner, gas, acid for cleaning.
- Make sure that your freezer remains unplugged while cleaning.
- Once defrosting/cleaning has been completed, plug in the appliance and return to its temperature setting.

Trouble Shooting

The following problems are not causes of breakdown:

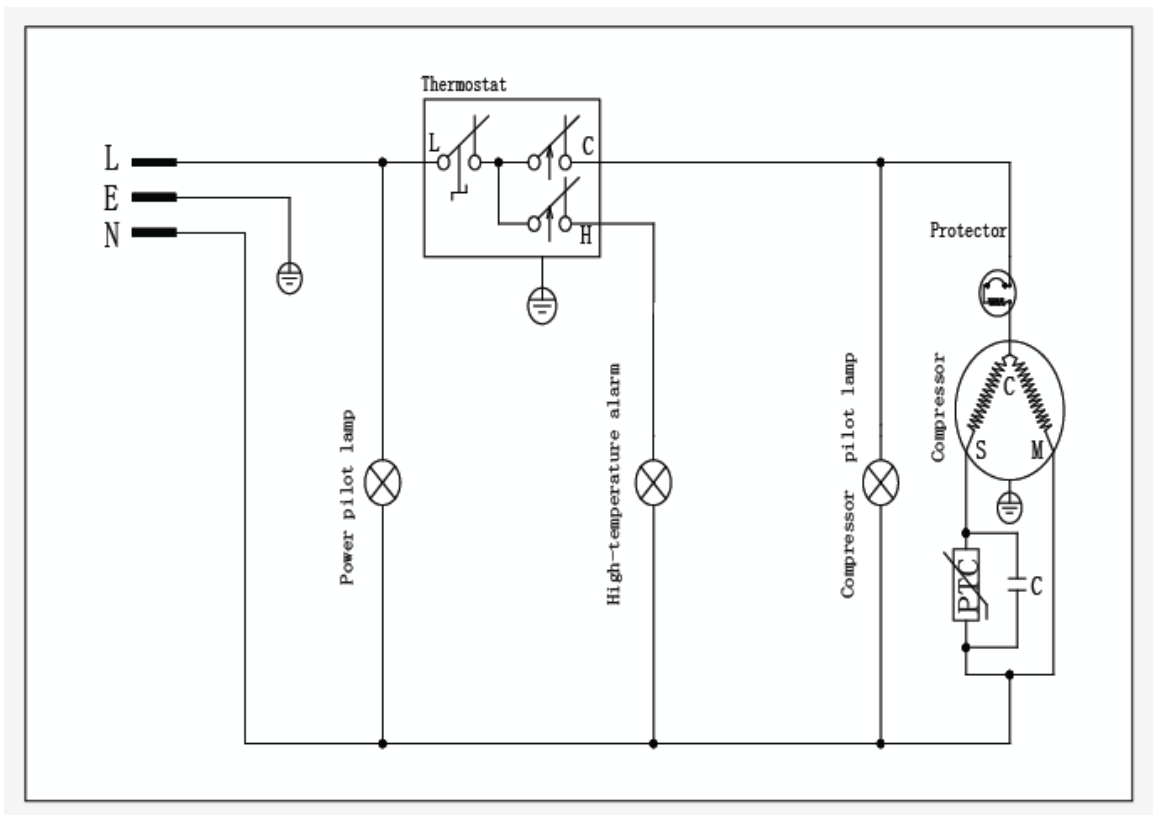
Problems	Causes and resolutions
There is a sound of liquid flowing in the freezer	It is the sound of refrigerant flowing in the circulating pipeline of the refrigerating system, this is normal
Too noisy	The freezer is not installed in a level ground, change the position
The refrigeration system does not work for a long time but the inside temperature is very low	It is an indicator of good insulation and low cooling retention, this is normal.

Trouble Shooting Guide

Trouble	Possibilities		Cheek up	Solutions	Remarks
Compressor does not work	Power is off	The fuse is broken	Check the fuse	Replace the fuse	If it is necessary please contact after-sales service for repair
		The connection between plug and socket is not good	Check the socket	Repair or replace the socket	
		The circuit of input and output is out of use	Make sure that the power is on	Check the circuit with electric instrument	
	The thermostat knob is not in the proper position		Check the thermostat	Rotate the thermostat to the proper position	Ask for professional help
Compressor keeps on working	The temperature inside is too high	Frost on the evaporator is too thick	Check whether the frost is thicker than 6-8mm	Defrost regularly	
		The door is being opened too frequently		Reduce the times of opening	
		Too much food has been stored at once		Take out some of the food	
	The temperature inside is OK	The ambient temperature is too high .while the thermostat indicates a small number	Make sure whether the knob is indicating at the "5-6"(or deeper)	Adjust the thermostat knob	The thermostat knob on"2-4"is better(or proper)
		The thermostat does not work		Replace the thermostat	Ask for after-sales service
Too noisy	The floor is not level		Make sure that the freezer is level	Put pad under the castors	
	The screw in fan or condenser is loose		The screw is loose	Rotate the fixed screw	
	The refrigerating circuits touch each other			Separate them	

Technical Data

Item	NWCF295L Wht
Climate classification	ST/T/SN/N
Anti-shock safety classification	I
Rated voltage	220-240V
Rated frequency	50Hz
Power consumption (kW•h/24h)	0.735
Refrigerant R600a	57g
Weight	42kg



New World Customer Care

Please keep this handbook in a safe place.

Please fill in the model number and serial number in the spaces provided below as they will assist us should you need to call.

0844 815 3747

When you dial this number you will hear a recorded message and be given a number of options. This indicates that your call has been accepted and is being held in a queue. Calls are answered in strict rotation as our Customer Care Representatives become available.

Enter appliance numbers here for future reference:

Model No	<input type="text"/>	<input type="text"/>	<input type="text"/>	<input type="text"/>	<input type="text"/>	<input type="text"/>	<input type="text"/>	<input type="text"/>	<input type="text"/>
Serial No	<input type="text"/>	<input type="text"/>	<input type="text"/>	<input type="text"/>	<input type="text"/>	<input type="text"/>	<input type="text"/>	<input type="text"/>	<input type="text"/>

These numbers can be found on your appliances.
Outside the UK and Northern Ireland, refer to your local supplier.



Stoney Lane, Prescot, Merseyside, L35 2XW

